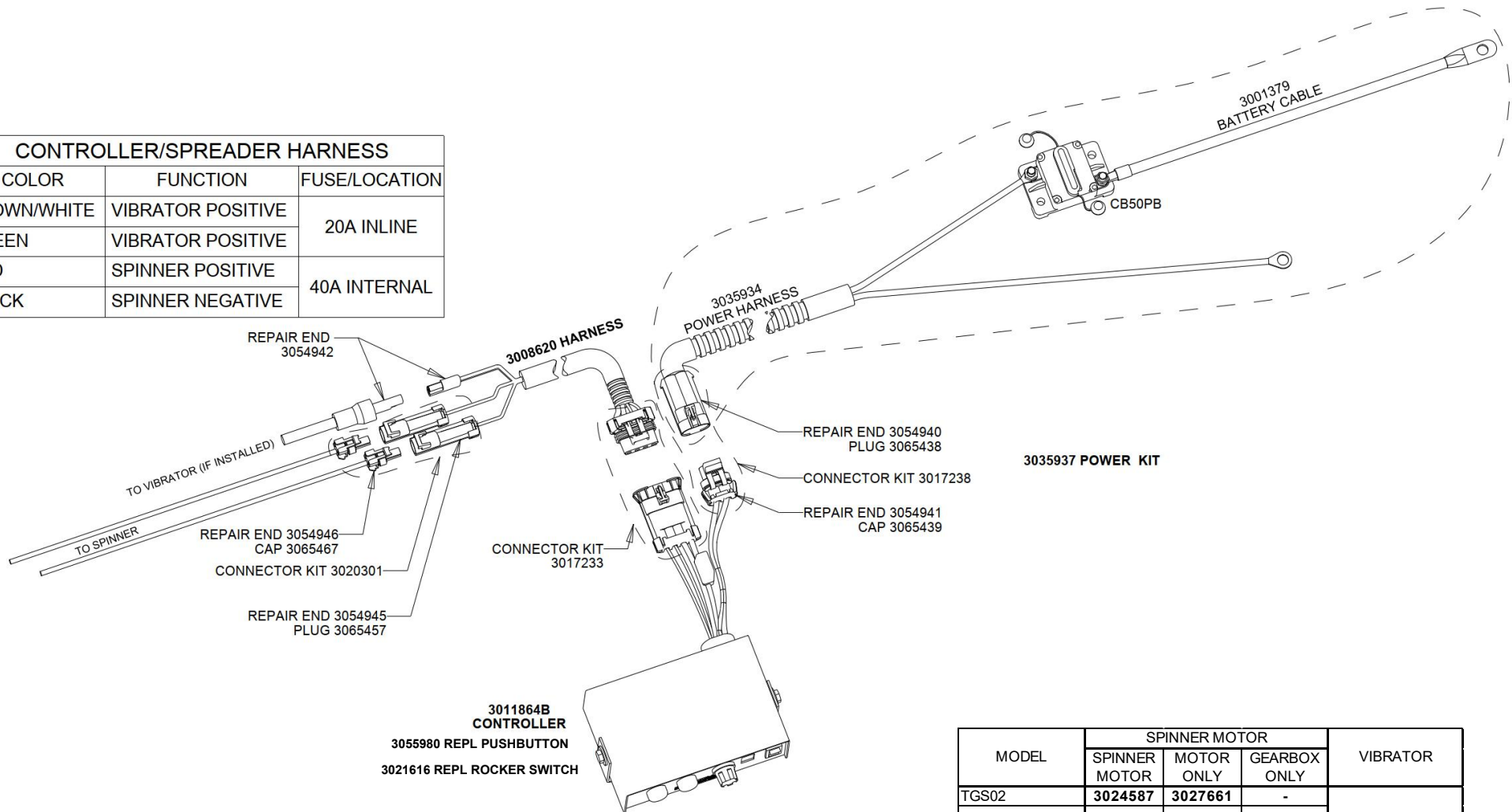
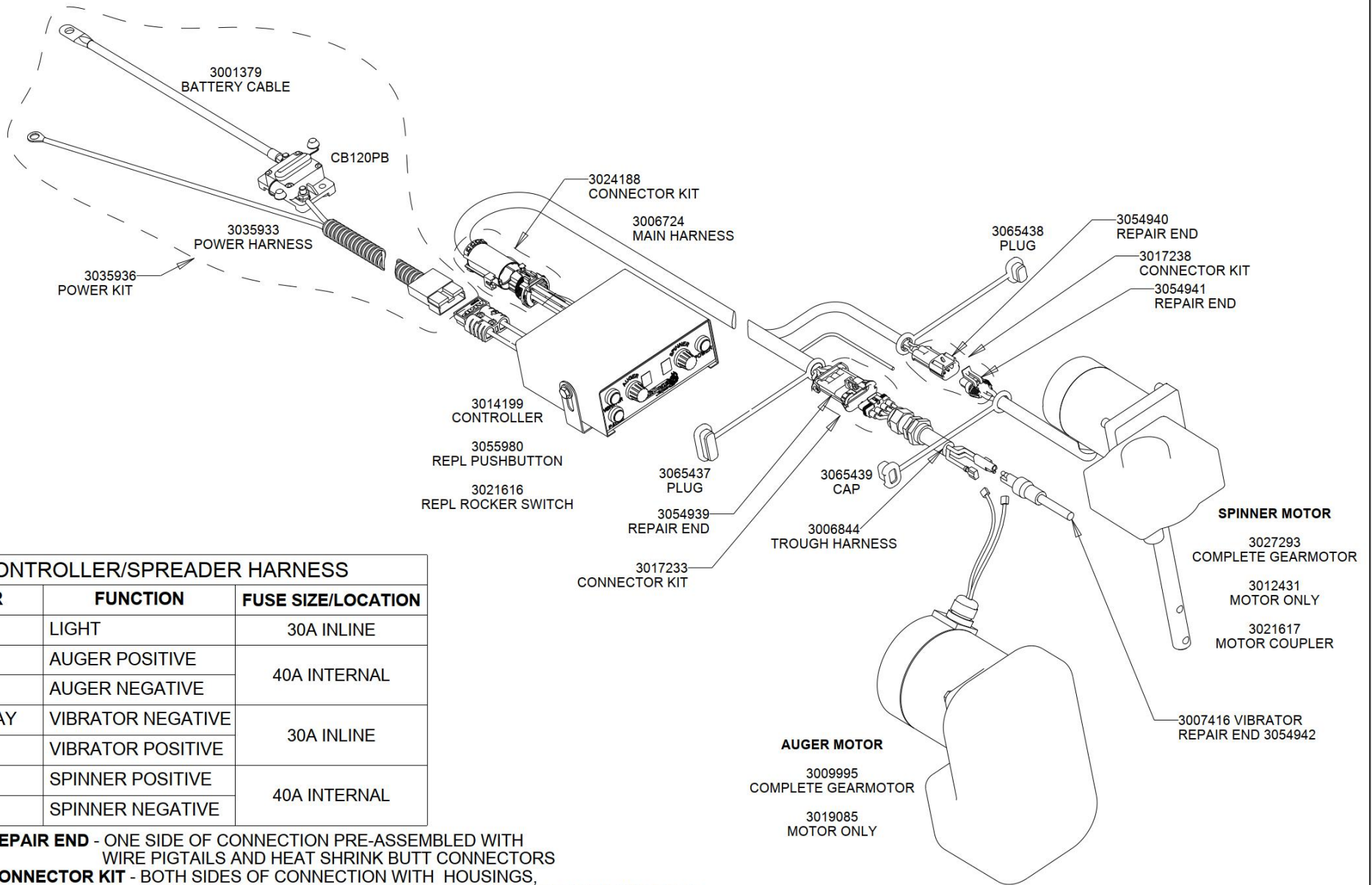


REPAIR END - PRE-ASSEMBLED WIRE PIGTAIL WITH HEAT SHRINK BUTT CONNECTORS
CONNECTOR KIT - BOTH SIDES OF CONNECTION WITH HOUSINGS, TERMINALS AND SEALS

CONTROLLER/SPREADER HARNESS		
COLOR	FUNCTION	FUSE/LOCATION
BROWN/WHITE	VIBRATOR POSITIVE	20A INLINE
GREEN	VIBRATOR POSITIVE	
RED	SPINNER POSITIVE	40A INTERNAL
BLACK	SPINNER NEGATIVE	



MODEL	SPINNER MOTOR			VIBRATOR
	SPINNER MOTOR	MOTOR ONLY	GEARBOX ONLY	
TGS02	3024587	3027661	-	3007416
TGS03/TGS07	3015377	3018358	3018359	
TSUVPROA	3014441	-	-	3008076
TGS01B				
TGS05B				
TGS06	3009320	-	-	



CONTROLLER/SPREADER HARNESS		
COLOR	FUNCTION	FUSE SIZE/LOCATION
BROWN	LIGHT	30A INLINE
RED	AUGER POSITIVE	40A INTERNAL
GREEN	AUGER NEGATIVE	
BLACK/GRAY	VIBRATOR NEGATIVE	30A INLINE
WHITE	VIBRATOR POSITIVE	
YELLOW	SPINNER POSITIVE	40A INTERNAL
BLUE	SPINNER NEGATIVE	

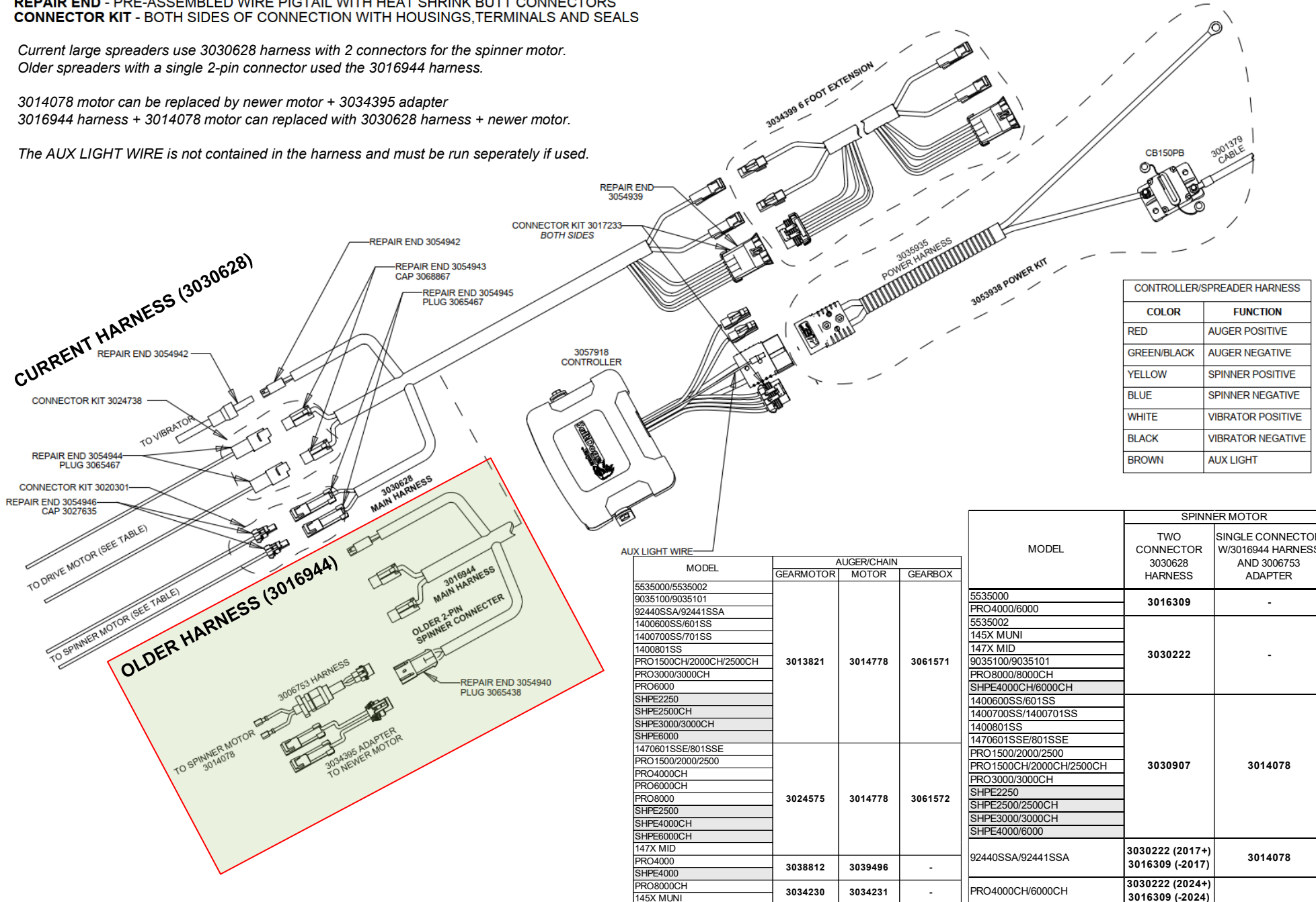
REPAIR END - ONE SIDE OF CONNECTION PRE-ASSEMBLED WITH WIRE PIGTAILS AND HEAT SHRINK BUTT CONNECTORS
CONNECTOR KIT - BOTH SIDES OF CONNECTION WITH HOUSINGS, TERMINALS AND SEALS - **REQUIRES APPROPRIATE CRIMPING TOOL**

REPAIR END - PRE-ASSEMBLED WIRE PIGTAIL WITH HEAT SHRINK BUTT CONNECTORS
CONNECTOR KIT - BOTH SIDES OF CONNECTION WITH HOUSINGS, TERMINALS AND SEALS

Current large spreaders use 3030628 harness with 2 connectors for the spinner motor.
 Older spreaders with a single 2-pin connector used the 3016944 harness.

3014078 motor can be replaced by newer motor + 3034395 adapter
 3016944 harness + 3014078 motor can be replaced with 3030628 harness + newer motor.

The AUX LIGHT WIRE is not contained in the harness and must be run separately if used.



CONTROLLER/SPREADER HARNESS	
COLOR	FUNCTION
RED	AUGER POSITIVE
GREEN/BLACK	AUGER NEGATIVE
YELLOW	SPINNER POSITIVE
BLUE	SPINNER NEGATIVE
WHITE	VIBRATOR POSITIVE
BLACK	VIBRATOR NEGATIVE
BROWN	AUX LIGHT

MODEL	SPINNER MOTOR	
	TWO CONNECTOR 3030628 HARNESS	SINGLE CONNECTOR W/3016944 HARNESS AND 3006753 ADAPTER
5535000	3016309	-
9035100/9035101		
92440SSA/92441SSA		
1400600SS/601SS		
1400700SS/701SS		
1400801SS		
PRO1500CH/2000CH/2500CH		
PRO3000/3000CH		
PRO6000		
SHPE2250		
SHPE2500CH		
SHPE3000/3000CH		
SHPE6000		
1470601SSE/801SSE		
PRO1500/2000/2500		
PRO1500CH/2000CH/2500CH		
PRO3000/3000CH		
SHPE2250		
SHPE2500/2500CH		
SHPE3000/3000CH		
SHPE4000/6000		
92440SSA/92441SSA	3030222 (2017+) 3016309 (-2017)	3014078
PRO4000CH/6000CH	3030222 (2024+) 3016309 (-2024)	

MODEL	AUGER/CHAIN		
	GEARMOTOR	MOTOR	GEARBOX
5535000/5535002			
9035100/9035101			
92440SSA/92441SSA			
1400600SS/601SS			
1400700SS/701SS			
1400801SS			
PRO1500CH/2000CH/2500CH	3013821	3014778	3061571
PRO3000/3000CH			
PRO6000			
SHPE2250			
SHPE2500CH			
SHPE3000/3000CH			
SHPE6000			
1470601SSE/801SSE			
PRO1500/2000/2500			
PRO4000CH			
PRO6000CH			
PRO8000	3024575	3014778	3061572
SHPE2500			
SHPE4000CH			
SHPE6000CH			
147X MID			
PRO4000	3038812	3039496	-
SHPE4000			
PRO8000CH	3034230	3034231	-
145X MUNI			

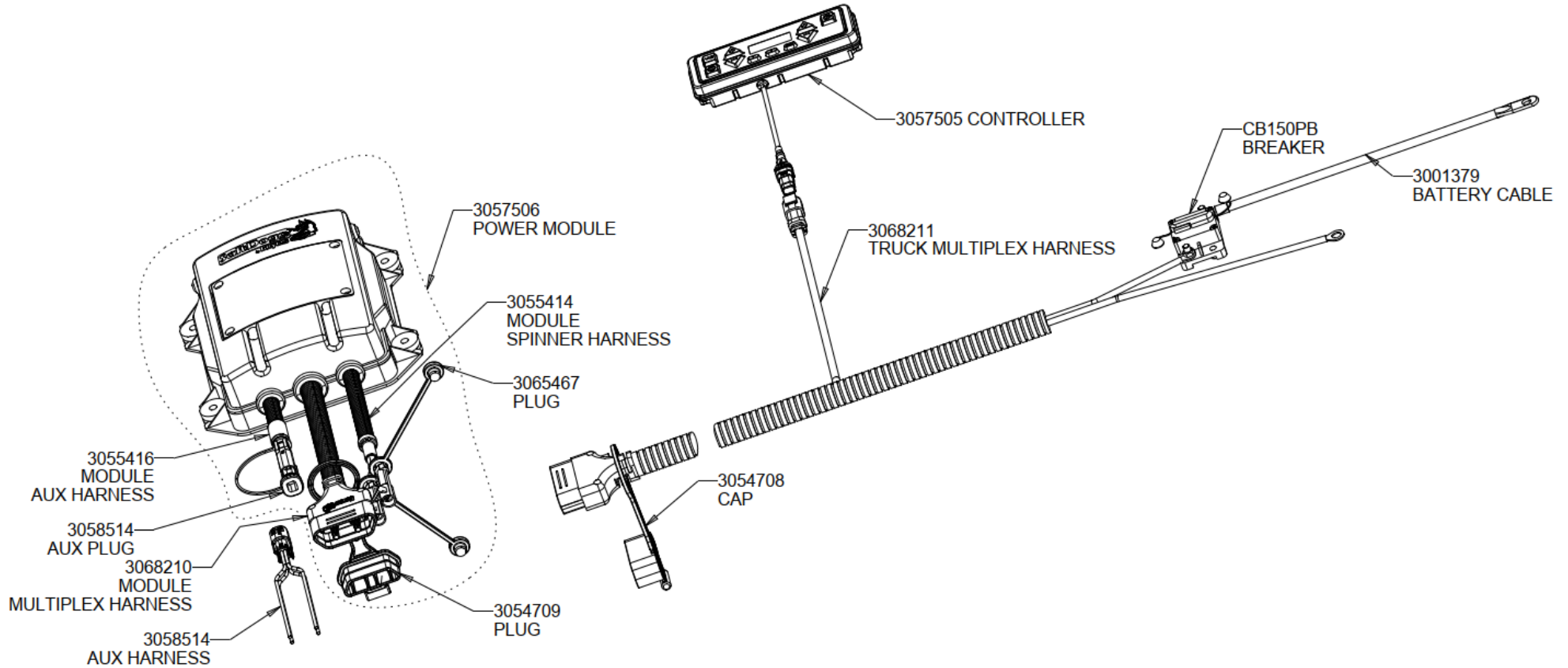


SD-QR2

PRO-M HARNESS REFERENCE

APPLIES TO ALL PRO/UTS/SCH/MID/MUNI M SERIES SALTDogg SPREADERS

3056198 - COMPLETE HARNESS REPLACEMENT KIT (CONTAINS 3068211 AND 3068210 AND CAPS)



3058514 - AUX HARNESS SOLD SEPERATELY

MODEL	AUGER/CHAIN		
	GEARMOTOR	GEARBOX	VIBRATOR
PRO1500M/2000M/2500M	3062248	3061572	3062249
1470601SSM/801SSM			3012081+3075214
PRO4000MCH			3019166+3075214
PRO6000MCH			
PRO8000M			
PRO1500MCH/2000MCH/2500MCH	3062245	3061571	3062249
1400601SSM/801SSM			3012081+3075214
PRO3000MCH			3019166+3075214
PRO3000M/4000M			
PRO6000M	3013821 + 3058832 3058833	3061571	3019166+3075214
PRO8000MCH	3034230	3034231	

MODEL	SPINNER MOTOR
PRO1500M/2000M/2500M	3030907
PRO1500MCH/2000MCH/2500MCH	
PRO3000M/3000CHM	
1400601SSM/1400801SSM	
1470601SSM/1470801SSM	3016309
PRO4000M/6000M	
PRO4000MCH/6000MCH/8000MCH	
PRO8000M	3030222